

VPIN	SW1	VPIN	SW1
3V	0	11V	B
4V	1	12V	9
5V	2	13V	A
6V	3	14V	B
7V	4	15V	C
8V	5	16V	D
9V	6	17V	E
10V	7	18V	F

**DS4**  
 Via Giardini 32  
 24066 Pedrengo  
 BERGAMO  
 Italy

Title: STROBE GEN

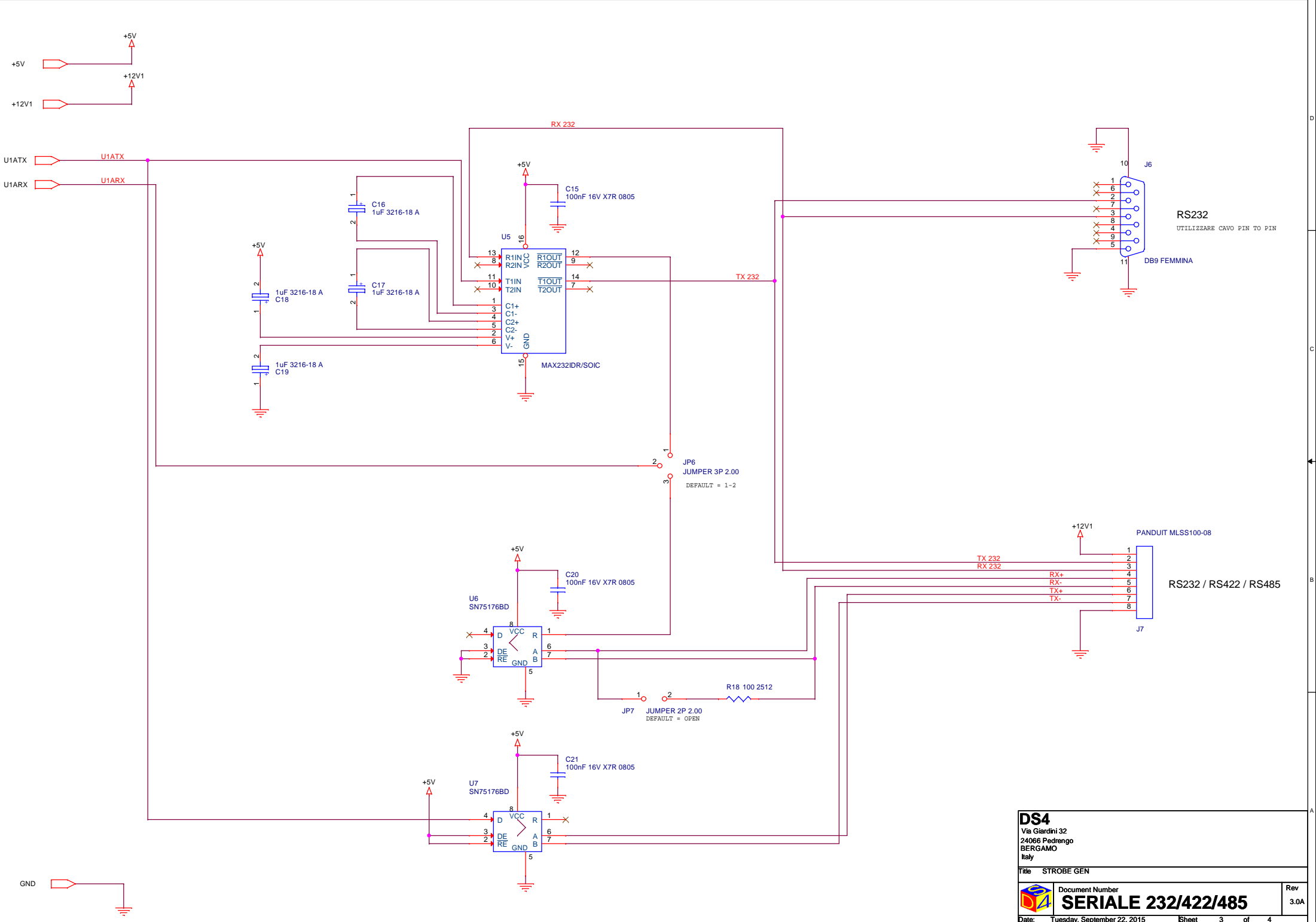
Document Number: **POWER**

Date: Tuesday, September 22, 2015

Rev: 3.0A

Sheet: 1 of 4



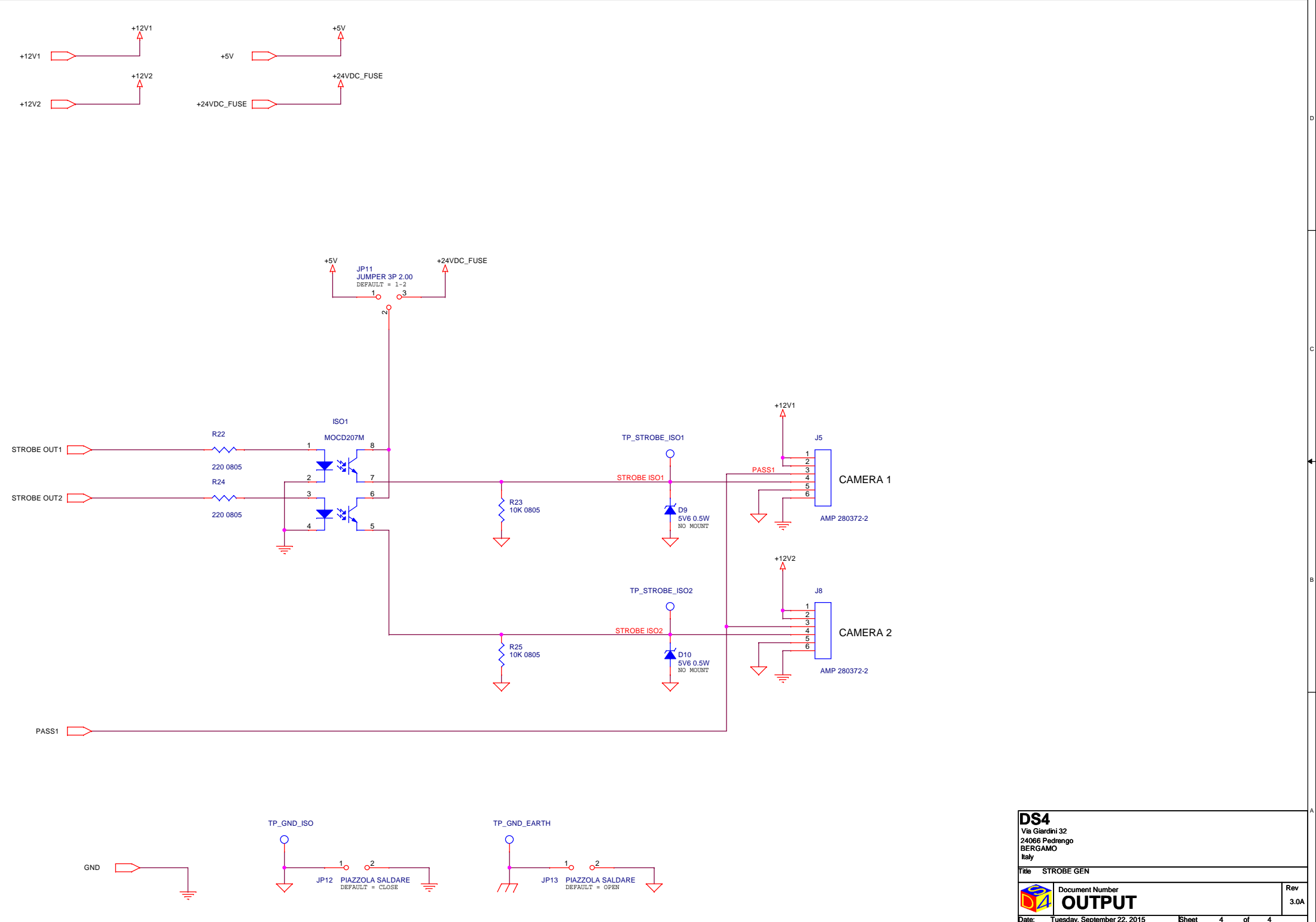


**DS4**  
 Via Giardini 32  
 24066 Pedrengo  
 BERGAMO  
 Italy

Title: STROBE GEN

Document Number  
**SERIALE 232/422/485**

Date: Tuesday, September 22, 2015 Sheet 3 of 4 Rev 3.0A



<b>DS4</b> Via Giardini 32 24066 Pedrengo BERGAMO Italy	
Title: STROBE GEN	
	Document Number <b>OUTPUT</b>
Date: Tuesday, September 22, 2015	Rev 3.0A
Sheet 4 of 4	