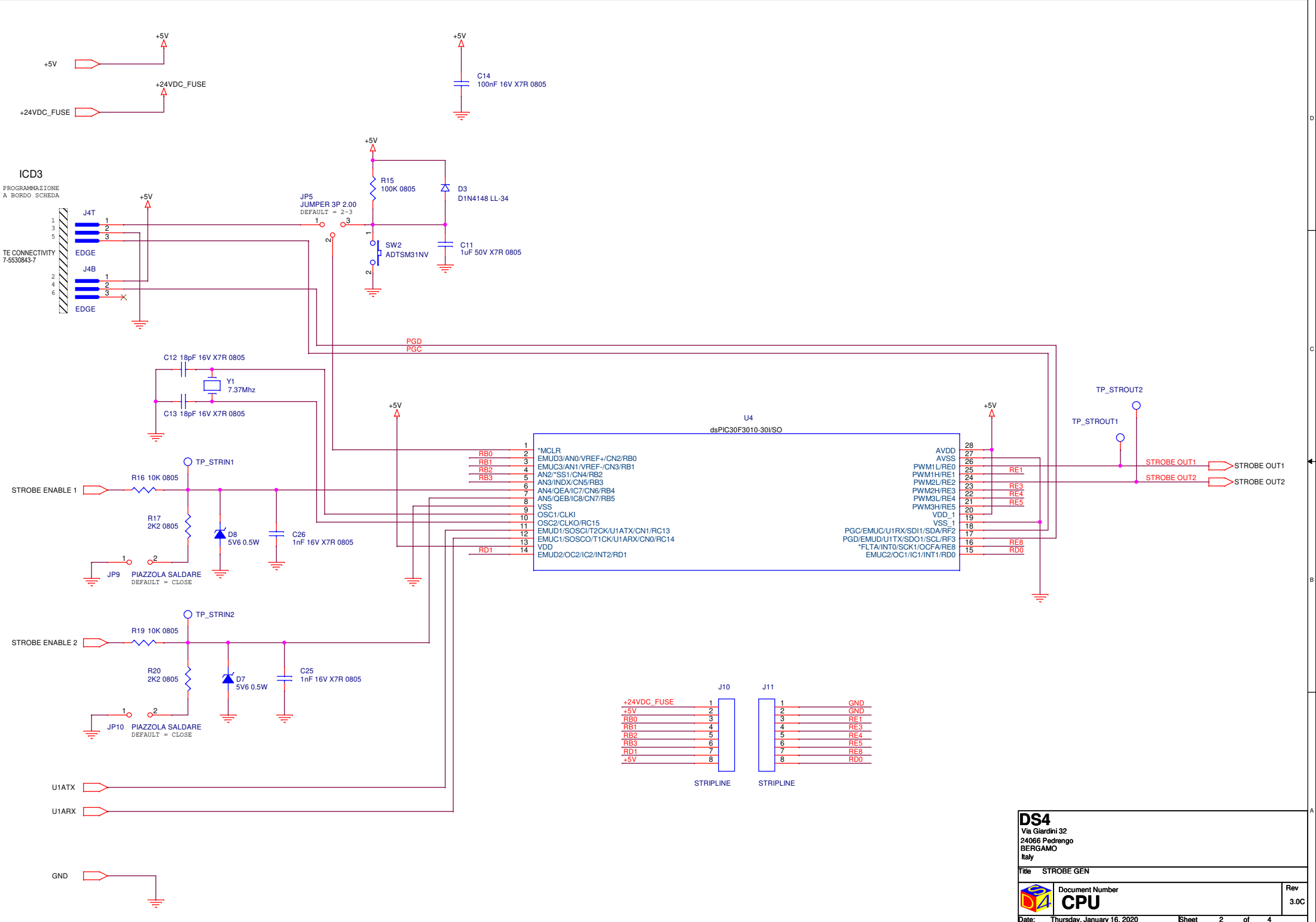


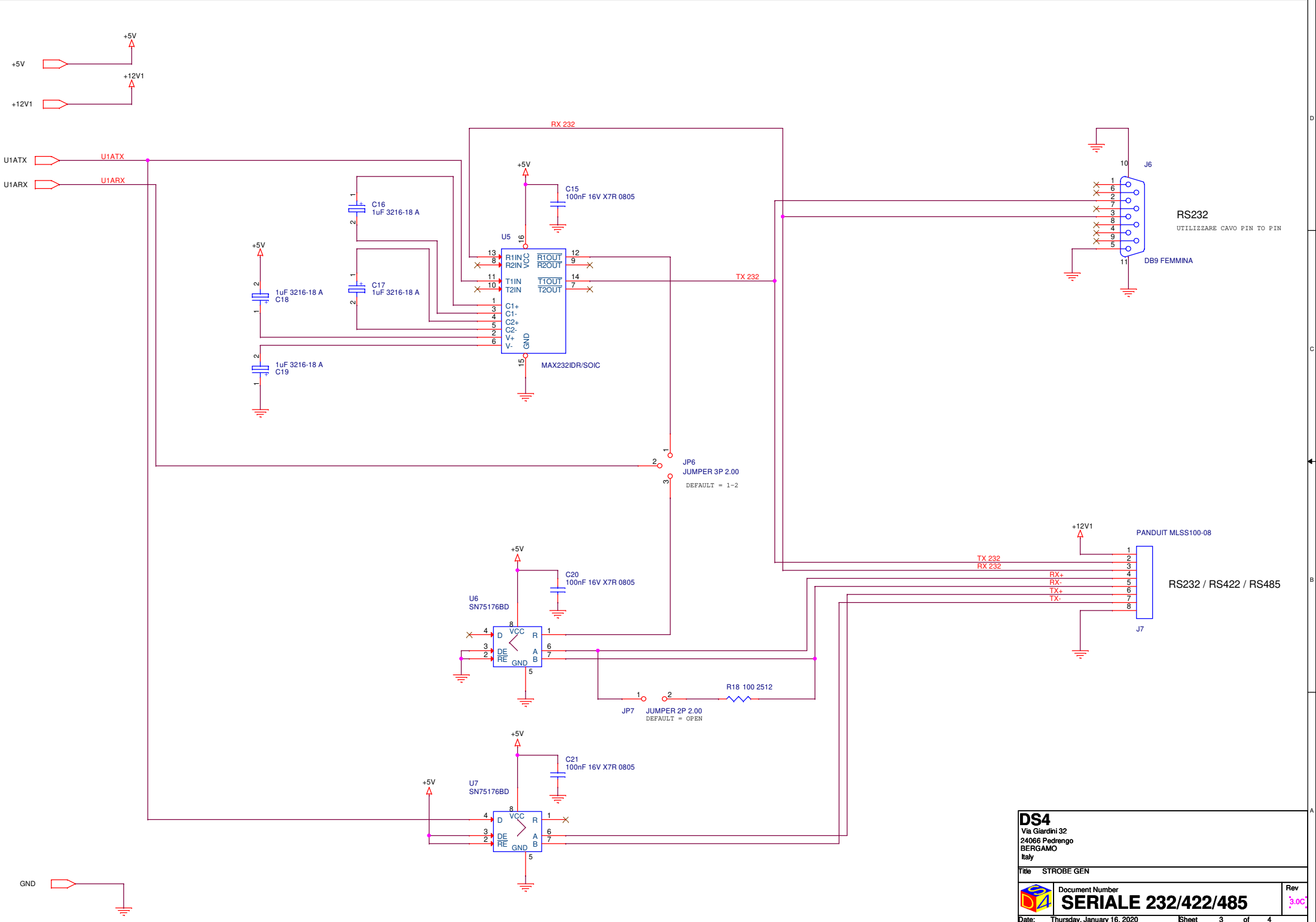
Modifiche rispetto alla versione 3.0B
- C25 e C26 a 1nF

DS4
Via Giardini 32
24066 Pedrengo
BERGAMO
Italy

Title STROBE GEN







DS4
 Via Giardini 32
 24066 Pedrengo
 BERGAMO
 Italy

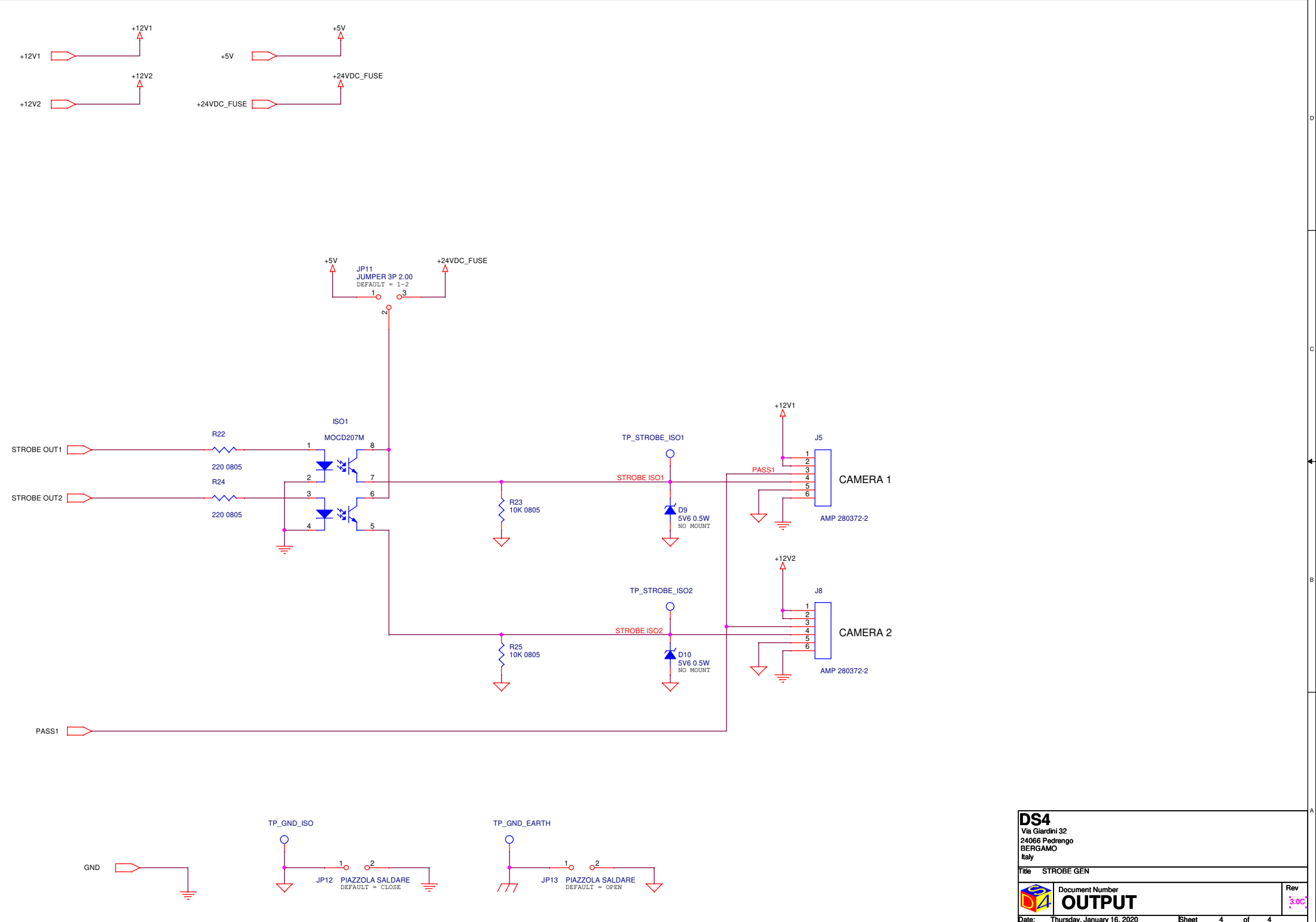
Title: STROBE GEN

Document Number
SERIALE 232/422/485

Date: Thursday, January 16, 2020

Rev: 3.00

Sheet 3 of 4



DS4
 Via Giardini 32
 24066 Pedrengo
 BERGAMO
 Italy

Title: STROBE GEN

Document Number: **OUTPUT**

Date: Thursday, January 16, 2020

Rev: 3.0C

Sheet 4 of 4